

MediaMaster™ Video On Demand System

3-Channel MPEG-2 Multicast Encoder

MM-1283



Specifications

- Height:** 1U
- Width:** std. 19 in rack
- Depth:** 8.25 in (21 cm)
- Weight:** 5.1 lbs (2.3 kg)
(fully loaded)
- Power:** 120 VAC at 1 A

Description

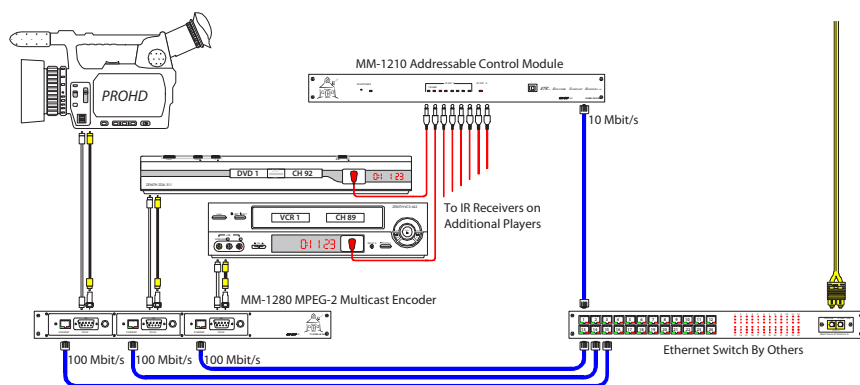
The MPEG-2 video streamer comes in two parts: a 1U rack mount chassis supporting up to three streamers, and the removable streamer modules. When ordering this product, simply specify the number of channels, and we will include the appropriate number of chassis to support that configuration.

Each channel accepts analog video and audio, converts it to a single-program MPEG-2 transport stream (SPTS), and streams it out the Ethernet port. When configured for multicast streaming, it encapsulates the transport stream in the RTSP protocol over UDP. In unicast mode, it uses RTP over UDP.

Various hardware decoders and PC software programs can accept these streams, allowing many possible configurations. The multicast option makes this device especially useful for streaming video from any source that will be used simultaneously by many users. For example, cable channels or local-origination video cameras.

Typical Application

This shows a typical setup of the encoder, serving disparate video sources over a network:



Front Panel Connectors

- 10/100BaseT Ethernet for streaming output and primary control
- RS-232 serial (DB-9F) for alternate local control

Rear Panel Connectors

- 'F' type video connector for composite video input
- Stereo pair of RCA audio inputs
- Proprietary 3.3 VDC power connector (fed from power supply in chassis)

Network Requirements

- LAN streaming: switches with IGMP snooping enabled
- WAN streaming: routers with PIM-SM support

Related Products

- MM-1281, single channel standalone version
- MM-1287, 17 channel 3U rack mount version



ETR... EDUCATIONAL TECHNOLOGY RESOURCES, INC.

1742 Church Street • Holbrook, New York 11741
tel 631.589.4300 • fax 631.589.4311 • www.etr-usa.com

Revised 2011.08.02