

# MediaMaster™ Video On Demand System

## Ethernet to Serial Converter – 16 Port

MM-1264



### Specifications

- Height:** 1.75 in (4.4 cm)
- Width:** 8.75 in (22.2 cm)
- Depth:** 10 in (25.4 cm)
- Weight:** 4.5 lbs (2 kg)
- Power:** 100-250 VAC  
at 0.5 A

### Description

Ethernet to serial converters allow the MediaMaster System to control and manage display assets anywhere in the school's data network.

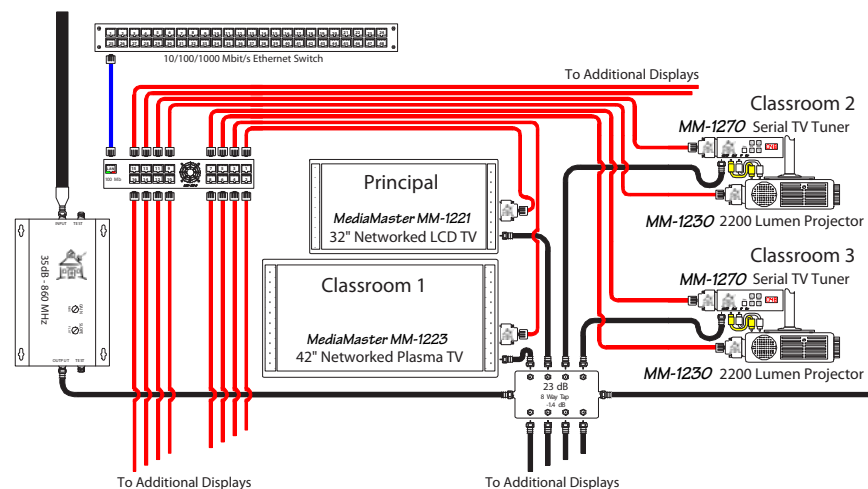
The converter uses RJ-45 connectors with a proprietary pinout on the serial side. We can supply the required cables, or you can use the pinout diagram at right to make your own.

The device converts between 10/100Base-T Ethernet and either RS-232, RS-422 or RS-485 serial at up to 115.2 kbit/sec.

The converter uses a standard IEC-320 power cord, so it doesn't take extra power strip space like devices that use wall-mounted supplies.

### Typical Application

The 16-port converter is particularly useful for controlling many classroom displays from a centralized location. It is generally the core element of such a system: the bulk of the displays connect to one of several 16-port serial converters, with the smaller converters rounding out the configuration.

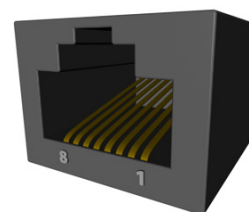


### Features

- Control sixteen serial devices from a single network drop
- Standard IEC-320 power connector; no bulky "wall warts"
- Exhaust fan keeps device cool even in warm wiring closets

### Serial Pinout

RJ-45 (standard 8 pin type)



- 1 RTS
- 2 DSR
- 3 DCD
- 4 RxD
- 5 TxD
- 6 Safety GND
- 7 DTR
- 8 CTS



ETR... EDUCATIONAL TECHNOLOGY RESOURCES, INC.

1742 Church Street • Holbrook, New York 11741  
tel 631.589.4300 • fax 631.589.4311 • www.etr-usa.com

Revised 2011.08.02